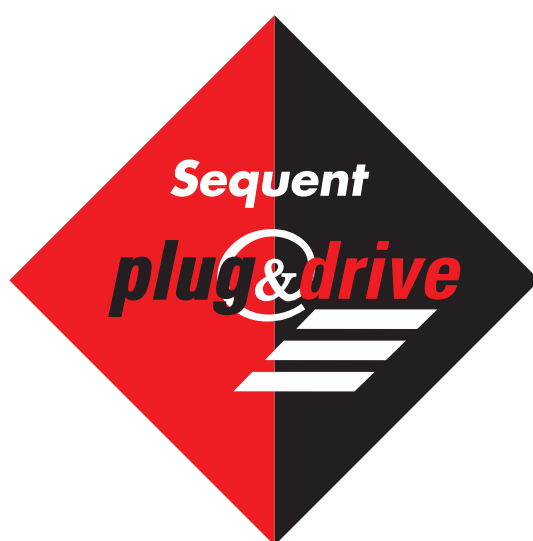


M.T.M. s.r.l.

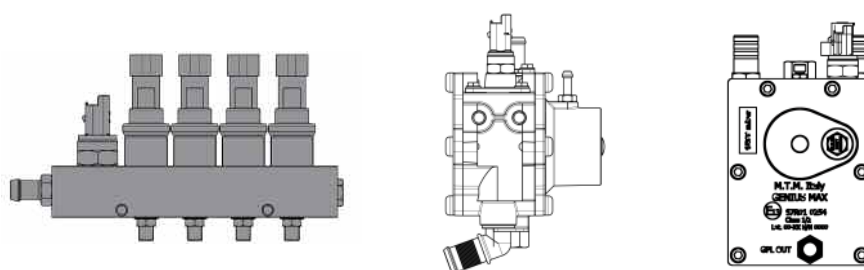
Via La Morra, 1
12062 - Cherasco (Cn) - Italy
Tel. +39 0172 4860140
Fax +39 0172 488237



installation handbook - 1/3
installation typologies - 2/3
software handbook - 3/3

LPG

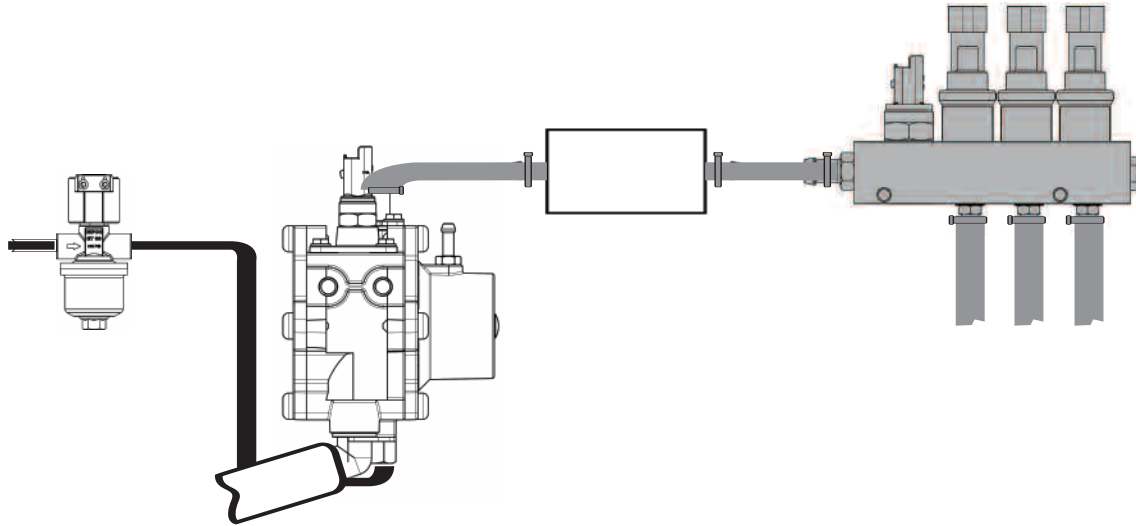
LPG Sequent Plug&Drive with BRC injectors, Genius MB TH₂O and Genius MAX TH₂O reducer





LPG SEQUENT PLUG&DRIVE MECHANICAL DIAGRAM ON 3-CYLINDERS VEHICLES

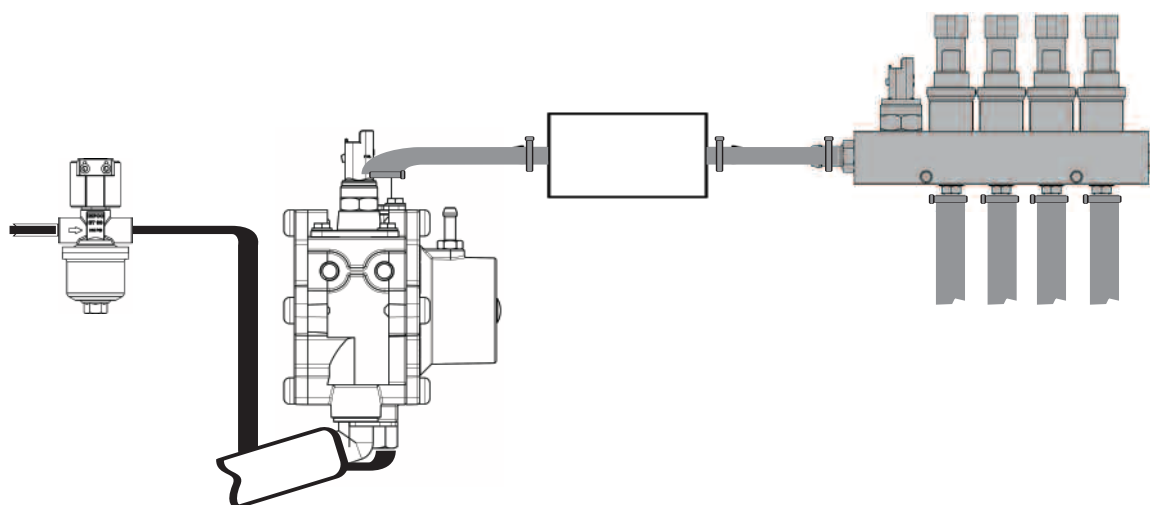
Vehicle Type	Gas injectors	Front Kit
3 Cylinders Intaked/Supercharged	BRC NORMAL	09SQ5000001G Genius MB TH ₂ O 800 mbar Normal Solenoid Valve ET98 MY07 WP Pressure and temperature gas sensor





LPG SEQUENT PLUG&DRIVE MECHANICAL DIAGRAM ON 4-CYLINDERS VEHICLES

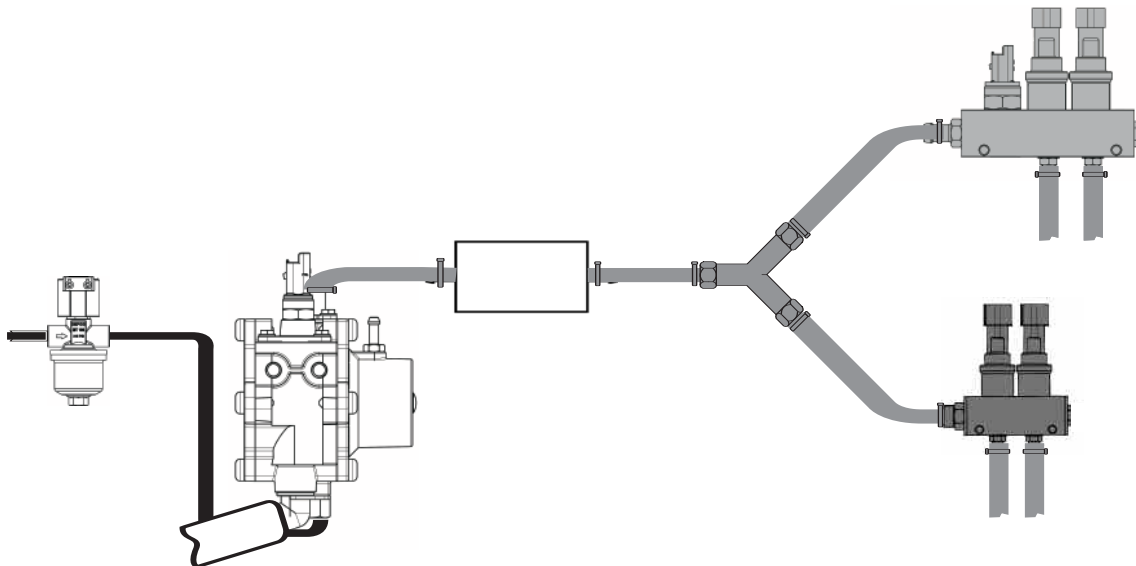
Vehicle Type	Gas injectors	Front Kit
4 Cylinders Intaked power lower than 80 kW	BRC NORMAL	09SQ5000003G Genius MB TH ₂ O 1200 mbar Normal Solenoid Valve ET98 MY07 WP Pressure and temperature gas sensor
4 Cylinders Intaked power included between 80 and 100 kW	BRC MAX	09SQ5000004G Genius MB TH ₂ O 1200 mbar Normal Solenoid Valve ET98 MY07 WP Pressure and temperature gas sensor
4 Cylinders Intaked power included between 100 and 120 kW	BRC MAX	09SQ5000005G Genius MB TH ₂ O 1500 mbar Super Solenoid Valve ET98 MY07 WP Pressure and temperature gas sensor
4 Cylinders Intaked power included between 120 and 140 kW	BRC SUPER MAX	09SQ50000031G Genius MB TH ₂ O 1500 mbar Super Solenoid Valve ET98 MY07 WP Pressure and temperature gas sensor
4 Cylinders Supercharged power lower than 140 kW	BRC MAX	09SQ5000005G Genius MB TH ₂ O 1500 mbar Super Solenoid Valve ET98 MY07 WP Pressure and temperature gas sensor
4 Cylinders Intaked power included between 100 and 120 kW	BRC MAX	09SQ5000007G Genius MAX TH ₂ O Super Maxi Flow Solenoid Valve ET98 MY07 WP Pressure and temperature gas sensor
4 Cylinders Intaked power included between 120 and 140 kW	BRC SUPER MAX	09SQ50000032G Genius MAX TH ₂ O Super Maxi Flow Solenoid Valve ET98 MY07 WP Pressure and temperature gas sensor
4 Cylinders Supercharged power lower than 140 kW	BRC MAX	09SQ5000007G Genius MAX TH ₂ O Super Maxi Flow Solenoid Valve ET98 MY07 WP Pressure and temperature gas sensor
4 Cylinders Supercharged power included between 140 and 160 kW	BRC SUPER MAX	09SQ50000032G Genius MAX TH ₂ O Super Maxi Flow Solenoid Valve ET98 MY07 WP Pressure and temperature gas sensor





LPG SEQUENT PLUG&DRIVE MECHANICAL DIAGRAM ON VEHICLES WITH 4 BOXER CYLINDERS

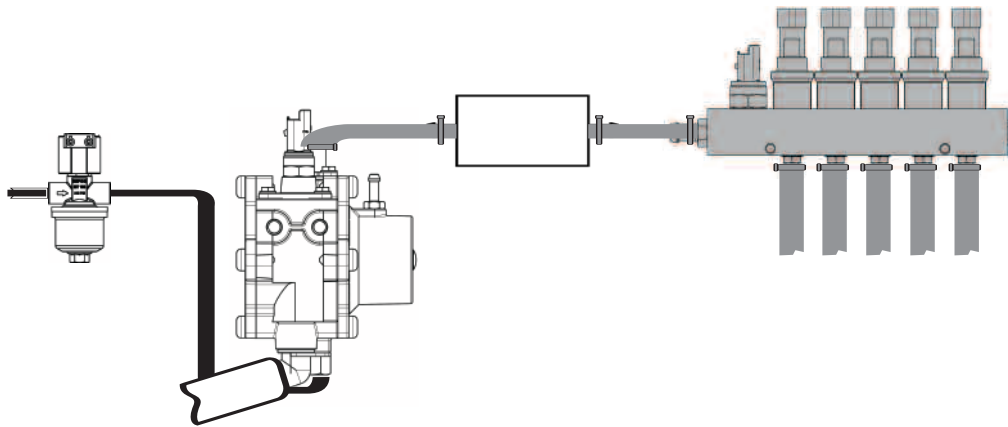
Vehicle Type	Gas injectors	Front Kit
4 Cylinders Boxer Intaked power lower than 100 kW	BRC MAX	09SQ5000009G Genius MB TH ₂ O 1200 mbar Normal Solenoid Valve ET98 MY07 WP Pressure and temperature gas sensor
4 Cylinders Boxer Intaked power included between 100 and 120 kW	BRC MAX	09SQ50000010G Genius MB TH ₂ O 1500 mbar Super Solenoid Valve ET98 MY07 WP Pressure and temperature gas sensor
4 Cylinders Boxer Intaked power included between 120 and 140 kW	BRC SUPER MAX	09SQ50000034G Genius MB TH ₂ O 1500 mbar Super Solenoid Valve ET98 MY07 WP Pressure and temperature gas sensor
4 Cylinders Boxer Supercharged power lower than 140 kW	BRC MAX	09SQ50000010G Genius MB TH ₂ O 1500 mbar Super Solenoid Valve ET98 MY07 WP Pressure and temperature gas sensor





LPG SEQUENT PLUG&DRIVE MECHANICAL DIAGRAM ON 5-CYLINDERS VEHICLES

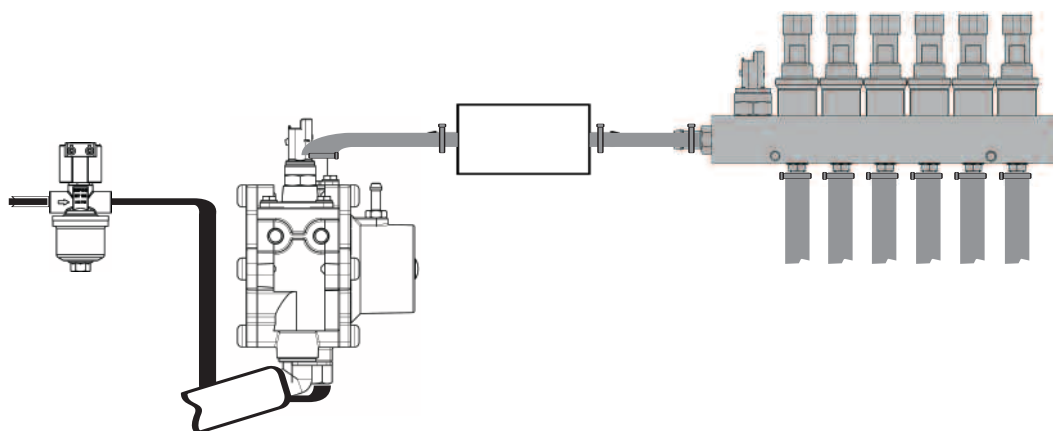
Vehicle Type	Gas injectors	Front Kit
5 Cylinders Intaked power lower than 100 kW	BRC NORMAL	09SQ50000028G Genius MB TH ₂ O 1500 mbar Super Solenoid Valve ET98 MY07 WP Pressure and temperature gas sensor
5 Cylinders Intaked power included between 100 and 140 kW	BRC MAX	09SQ50000012G Genius MB TH ₂ O 1500 mbar Super Solenoid Valve ET98 MY07 WP Pressure and temperature gas sensor
5 Cylinders Supercharged power lower than 140 kW	BRC MAX	09SQ50000012G Genius MB TH ₂ O 1500 mbar Super Solenoid Valve ET98 MY07 WP Pressure and temperature gas sensor
5 Cylinders Intaked power included between 120 and 150 kW	BRC MAX	09SQ50000035G Genius MAX TH ₂ O Super Maxi Flow Solenoid Valve ET98 MY07 WP Pressure and temperature gas sensor
5 Cylinders Intaked power included between 140 and 160 kW	BRC SUPER MAX	09SQ50000014G Genius MAX TH ₂ O Super Maxi Flow Solenoid Valve ET98 MY07 WP Pressure and temperature gas sensor
5 Cylinders Supercharged power included between 140 and 180 kW	BRC SUPER MAX	09SQ50000014G Genius MAX TH ₂ O Super Maxi Flow Solenoid Valve ET98 MY07 WP Pressure and temperature gas sensor





LPG SEQUENT PLUG&DRIVE MECHANICAL DIAGRAM ON 6-CYLINDERS VEHICLES

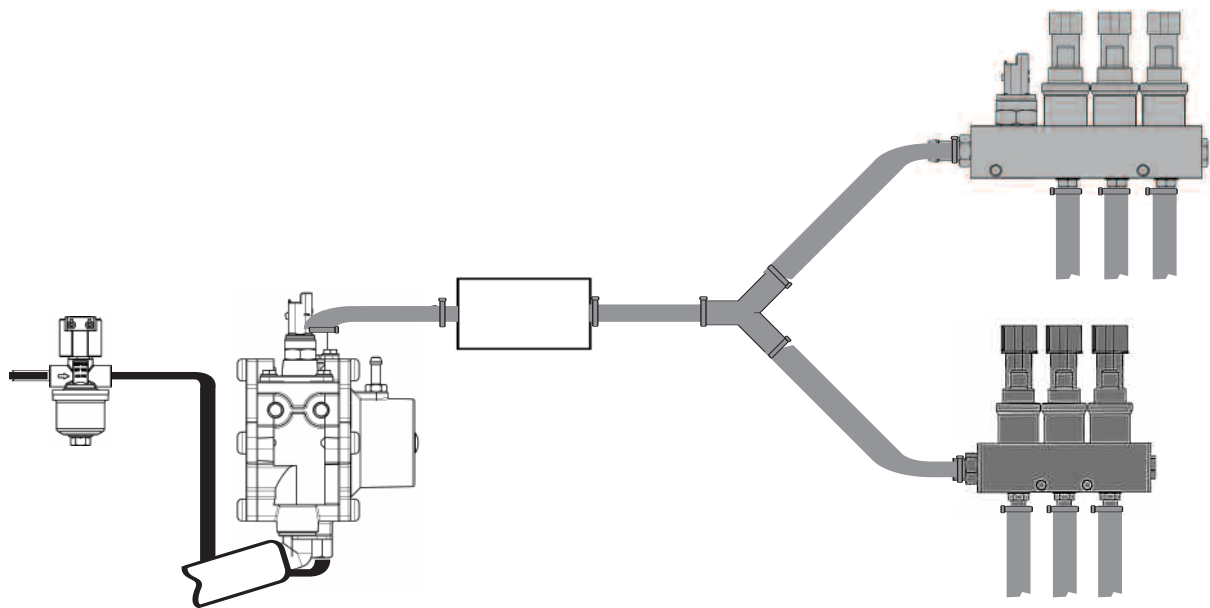
Vehicle Type	Gas injectors	Front Kit
6 Cylinders Intaked power lower than 120 kW	BRC NORMAL	09SQ50000029G Genius MB TH ₂ O 1500 mbar Super Solenoid Valve ET98 MY07 WP Pressure and temperature gas sensor
6 Cylinders Intaked power included between 120 and 140 kW	BRC MAX	09SQ50000016G Genius MB TH ₂ O 1500 mbar Super Solenoid Valve ET98 MY07 WP Pressure and temperature gas sensor
6 Cylinders Supercharged power lower than 140 kW	BRC NORMAL	09SQ50000029G Genius MB TH ₂ O 1500 mbar Super Solenoid Valve ET98 MY07 WP Pressure and temperature gas sensor
6 Cylinders Intaked power included between 140 and 165 kW	BRC MAX	09SQ50000036G Genius MAX TH ₂ O Super Maxi Flow Solenoid Valve ET98 MY07 WP Pressure and temperature gas sensor
6 Cylinders Intaked power included between 165 and 190 kW	BRC SUPER MAX	09SQ50000018G Genius MAX TH ₂ O Super Maxi Flow Solenoid Valve ET98 MY07 WP Pressure and temperature gas sensor
6 Cylinders Supercharged power included between 140 and 200 kW	BRC SUPER MAX	09SQ50000018G Genius MAX TH ₂ O Super Maxi Flow Solenoid Valve ET98 MY07 WP Pressure and temperature gas sensor





LPG SEQUENT PLUG&DRIVE MECHANICAL DIAGRAM ON VEHICLES WITH 6 "V-SHAPED" CYLINDERS

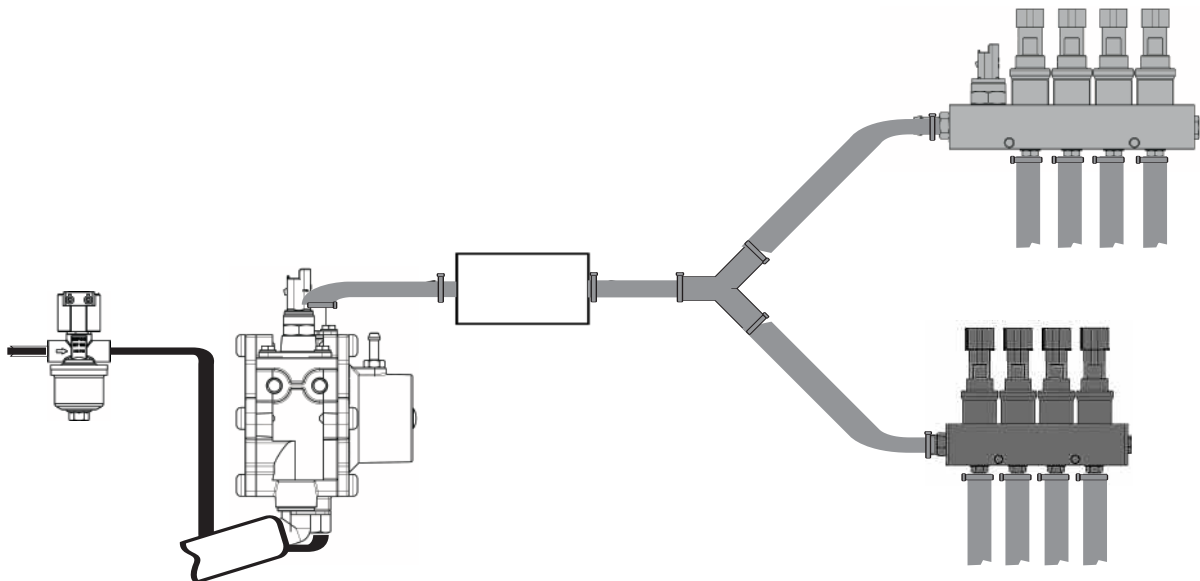
Vehicle Type	Gas injectors	Front Kit
6 "V-Shaped" Cylinders Intaked power lower than 120 kW	BRC NORMAL	09SQ50000030G Genius MB TH ₂ O 1500 mbar Super Solenoid Valve ET98 MY07 WP Pressure and temperature gas sensor
6 "V-Shaped" Cylinders Intaked power included between 120 and 140 kW	BRC MAX	09SQ50000020G Genius MB TH ₂ O 1500 mbar Super Solenoid Valve ET98 MY07 WP Pressure and temperature gas sensor
6 "V-Shaped" Cylinders Supercharged power lower than 140 kW	BRC NORMAL	09SQ50000030G Genius MB TH ₂ O 1500 mbar Super Solenoid Valve ET98 MY07 WP Pressure and temperature gas sensor
6 "V-Shaped" Cylinders Intaked power included between 140 and 165 kW	BRC MAX	09SQ50000037G Genius MAX TH ₂ O Super Maxi Flow Solenoid Valve ET98 MY07 WP Pressure and temperature gas sensor
6 "V-Shaped" Cylinders Intaked power included between 165 and 190 kW	BRC SUPER MAX	09SQ50000022G Genius MAX TH ₂ O Super Maxi Flow Solenoid Valve ET98 MY07 WP Pressure and temperature gas sensor
6 "V-Shaped" Cylinders Supercharged power included between 140 and 200 kW	BRC SUPER MAX	09SQ50000022G Genius MAX TH ₂ O Super Maxi Flow Solenoid Valve ET98 MY07 WP Pressure and temperature gas sensor





LPG SEQUENT PLUG&DRIVE MECHANICAL DIAGRAM ON VEHICLES WITH 8 "V-SHAPED" CYLINDERS

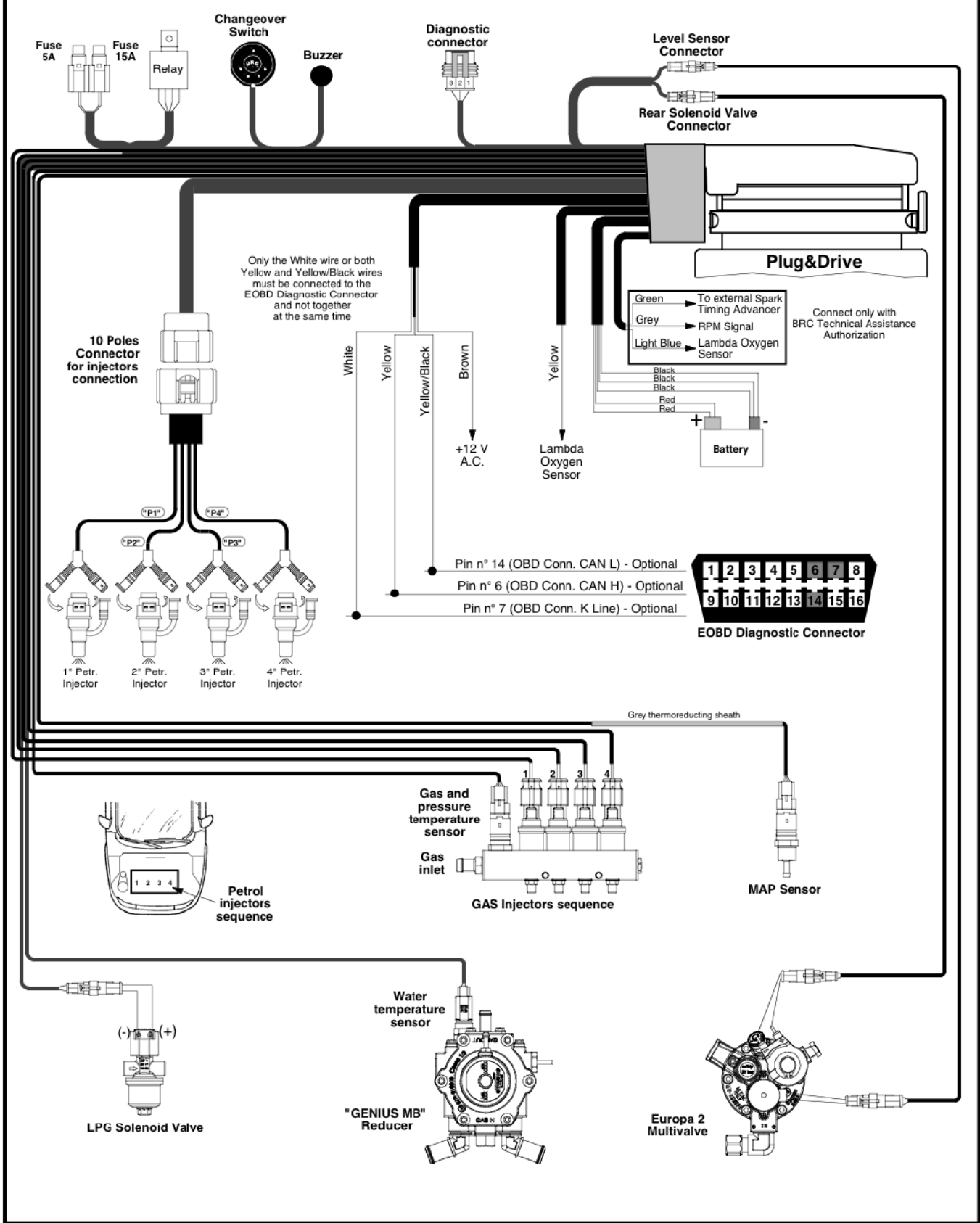
Vehicle Type	Gas injectors	Front Kit
8 "V-Shaped" Cylinders Intaked power lower than 140 kW	BRC NORMAL	09SQ50000024G Genius MB TH ₂ O 1500 mbar Super Solenoid Valve ET98 MY07 WP Pressure and temperature gas sensor
8 "V-Shaped" Cylinders Supercharged power lower than 140 kW	BRC NORMAL	09SQ50000024G Genius MB TH ₂ O 1500 mbar Super Solenoid Valve ET98 MY07 WP Pressure and temperature gas sensor
8 "V-Shaped" Cylinders Intaked power included between 140 and 200 kW	BRC MAX	09SQ50000026G Genius MAX TH ₂ O Super Maxi Flow Solenoid Valve ET98 MY07 WP Pressure and temperature gas sensor
8 "V-Shaped" Cylinders Supercharged power included between 140 and 200 kW	BRC MAX	09SQ50000026G Genius MAX TH ₂ O Super Maxi Flow Solenoid Valve ET98 MY07 WP Pressure and temperature gas sensor
8 "V-Shaped" Cylinders Intaked power included between 200 and 240 kW	BRC SUPER MAX	09SQ50000038G Genius MAX TH ₂ O Super Maxi Flow Solenoid Valve ET98 MY07 WP Pressure and temperature gas sensor
8 "V-Shaped" Cylinders Supercharged power included between 200 and 240 kW	BRC SUPER MAX	09SQ50000038G Genius MAX TH ₂ O Super Maxi Flow Solenoid Valve ET98 MY07 WP Pressure and temperature gas sensor





LPG SEQUENT PLUG&DRIVE GENERAL WIRING DIAGRAM

Dated:	06.02.08
Diagram N°:	1
In pl. of diagr.:	//
Draftsman:	L.B.
Signature:	



CAUTION:
Be careful with the cars for which the manufacturer prohibits or advises against disconnecting the battery, not to alter the anti-theft devices or automatic adaptivity - Never use welders connected to the battery of the same car - Connect with suitably insulated soft solderings - Position the BRC electrical devices in a well ventilated area, protected from water seepages and heat sources - We recommend to insulate the BRC electronic control unit wires which are not connected - BRC reserves the right to modify this diagram without notice - We also recommend you to be sure to have the last revision of the diagram drawn up by BRC.